

4

3

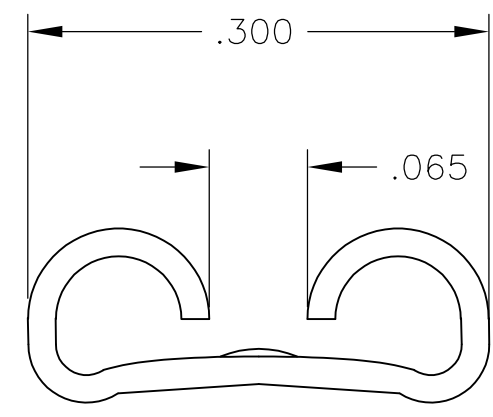
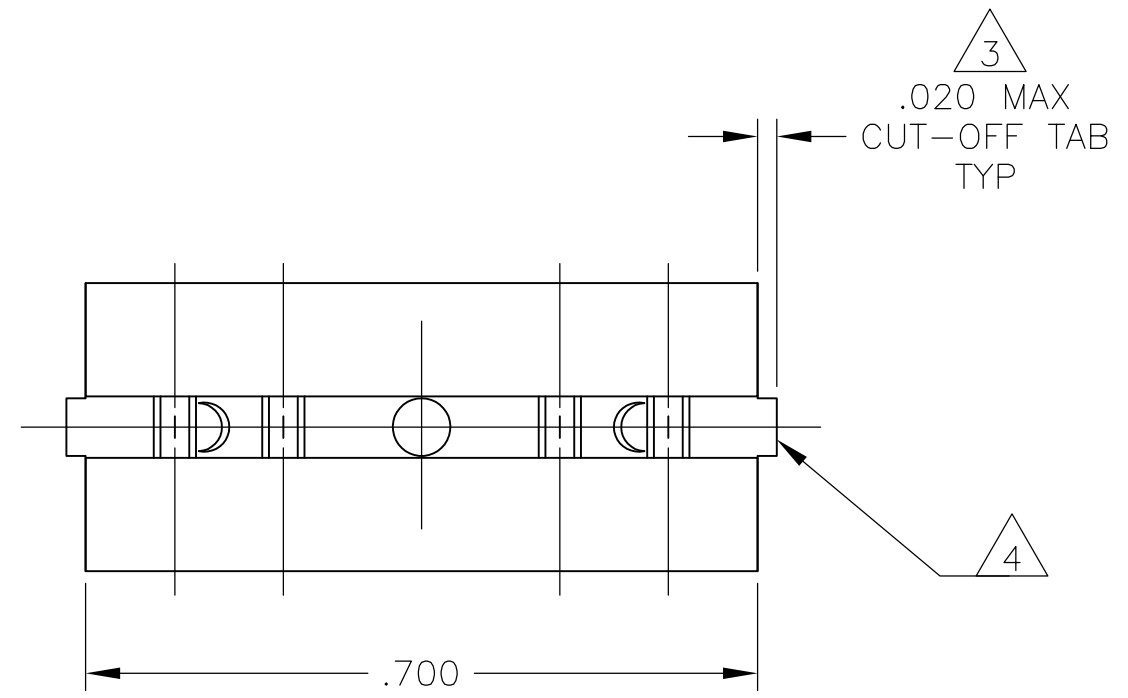
2

1

THIS DRAWING IS UNPUBLISHED. RELEASED FOR PUBLICATION
 © COPYRIGHT - By - ALL RIGHTS RESERVED.

LOC	DIST	REVISIONS			
P	LTR	DESCRIPTION	DATE	DWN	APVD
AF	50	K	REVISED PER ECR-11-018063	26DEC11	KH PD

- 1 SUPPLIED IN LOOSE PIECE.
- 2 MATING TAB THK IS $.032 \pm .001$
- 3 LOOSE PIECE AFTER PLATING
- 4 BARE EDGES ARE PERMITTED



3 4	SILVER PLATE	61810-3
	TIN	61810-2
	FINISH	PART NO.

THIS DRAWING IS A CONTROLLED DOCUMENT.		DWN	JR RUTH	7/16/92	TE Connectivity					
DIMENSIONS: INCHES		CHK	MS FEHER	7/16/92				NAME RECEPTACLE, FASTON, .250 SERIES		
		APVD	C MEYERS	7/16/92						
TOLERANCES UNLESS OTHERWISE SPECIFIED: 0 PLC ± - 1 PLC ± - 2 PLC ± - 3 PLC ± .005 4 PLC ± - ANGLES ± -		MATERIAL						SIZE	CAGE CODE	DRAWING NO
BRASS		FINISH			A300779			SCALE	SHEET	REV
SEE TABLE		CUSTOMER DRAWING			C-61810			5:1	1 OF 1	K